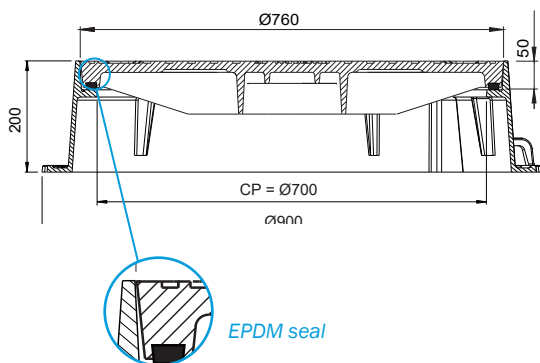
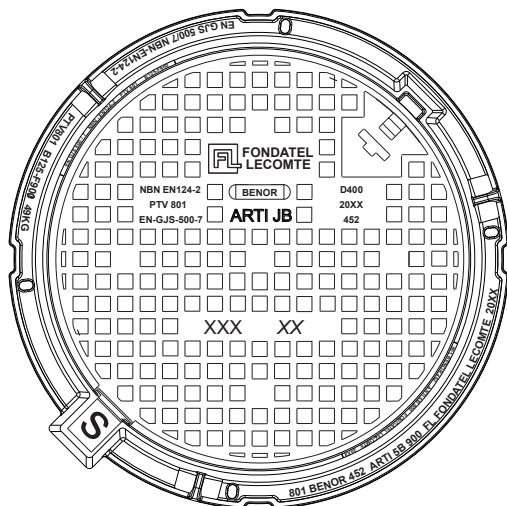


# ARTI 5 B NV Manhole cover D400

PTV801	heavy traffic	round frame	hinged	non ventilated	seal	security	OPTION	OPTION	OPTION	OPTION



### DESCRIPTION

Hinged manhole cover D400 non ventilated, for heavy traffic.

### ADVANTAGE PRODUCT

#### Efficient articulation

- Hinging automatic cleaning (when opening)
- Opening of the cover at >110° for easy access
- Security: covers blocks at 90° when opening.
- For closing cover: additional manipulation (lifting cover) needed before closing cover.
- Cover is removable at 90°.

#### Silence and stability

- Round frame height 200mm with clear opening 700mm.
- EPDM sealing in machined opening cover on whole diameter, to guarantee perfect sealing.

#### Implementation and use

- 3 handling rings on the base of frame.
- Reinforced frame
- 4 holes for possible fastening to the ground.
- Keyhole in order to facilitate opening.

### MATERIAL

Ductile iron GJS 500-7 depending on EN1563

### CERTIFICATION THIRD PARTY

Certified EN124-2 BENOR PTV801 by Copro

### PLACE OF INSTALLATION

Group 4, class D400 → see EN124-1

Carrageways of roads (including pedestrian streets), hand shoulders and parking areas, for all types of road vehicles

### OPTION

- Locking by means of 4 locking devices.
- Ventilated cover
- Marking/logo on request
- 1 BAR watertightness

REFERENCE	ART.N°	KG	PACK.
Arti 5 B D400 NV	215055	126	7

The validity of the data sheet can be verified on the COPRO website ([www.copro.eu](http://www.copro.eu))

Sizes in mm - Weights, sizes and sketch are indicative - Uncontrolled distribution.