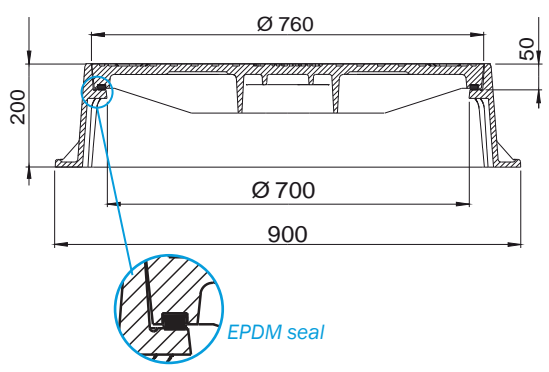
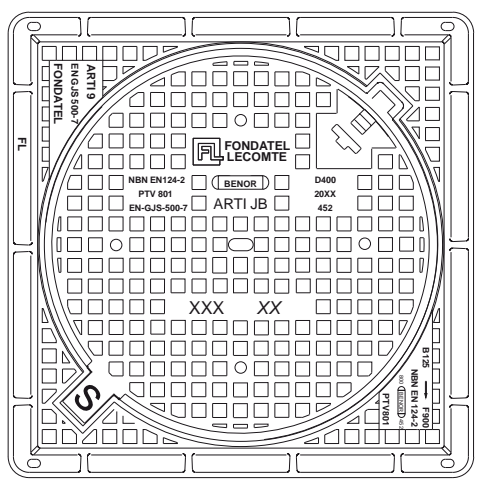
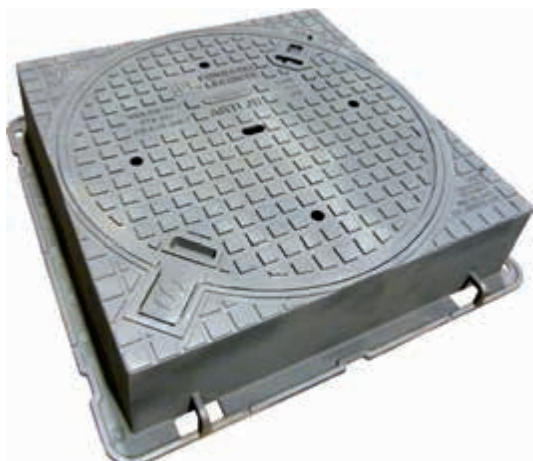


ARTI 9 B Manhole cover D400

PTV801	heavy traffic	square frame round cover	hinged	ventilated	seal	security	OPTION	OPTION	OPTION	OPTION



DESCRIPTION
Hinged manhole cover D400 BENOR PTV801 ventilated, for heavy traffic.

ADVANTAGE PRODUCT
Efficient articulation

- Hinging automatic cleaning (when opening)
- Opening of the cover at >110° for easy access
- Security: covers blocks at 90° when opening.
- For closing cover: additional manipulation (lifting cover) needed before closing cover.
- Cover is removable at 90°.

Silence and stability

- Square frame height 200mm with clear opening 700mm.
- EPDM sealing in machined opening cover on whole diameter, to guarantee perfect sealing.
- Antiskid design for low noise nuisance

Implementation and use

- Cover with 4 round ventilation holes and 1 oval hole which enables to lift and/or open cover.
- 4 handling rings on the base of frame.
- 3 handling rings on the base of frame.
- Reinforced frame
- 4 holes for possible fastening to the ground.
- Keyhole in order to facilitate opening.
- High frame with reinforcements at bottom end to enable to facilitate finishing by all types including pavements.

MATERIAL
Ductile iron GJS 500-7 depending on EN1563

CERTIFICATION THIRD PARTY
Certified EN124-2 BENOR PTV801 by Copro

PLACE OF INSTALLATION
Group 4, class D400 → see EN124-1
Carrageways of roads (including pedestrian streets), hand shoulders and parking areas, for all types of road vehicles

OPTION

- Locking by means of 4 locking devices.
- No ventilated cover
- Marking/logo on request
- 1 BAR watertightness

REFERENCE	ART.N°	KG	PACK.
Arti 9 B D400	2190XX	161	7

The validity of the data sheet can be verified on the COPRO website <https://extranet.copro.eu/fr>
Sizes in mm - Weights, sizes and sketch are indicative - Uncontrolled distribution.