

BOR

Connection cover C250

PTV 880-7		round or square frame round cover	hinged	OPTION

DESCRIPTION

C250 Connection cover with hydraulic lock for PVC chamber, hinged

ADVANTAGE PRODUCT

- Frame with single continuous sealing groove
- Opening cover >110° to facilitate access and improve security workers
- One installed cover become anti theft
- Antiskid design for low noise nuisance
- Pavement, cobblestones can be installed against frame
- EPDM sealing to obtain watertightness against groundwater, which also allows to height and slope adjustment
- Can be installed onto connection pvc chambers DN250-315-400
- Keyhole to loosen cover before opening

MATERIAL

Ductile iron GJS 500-7 depending on EN1563

CERTIFICATION THIRD PARTY

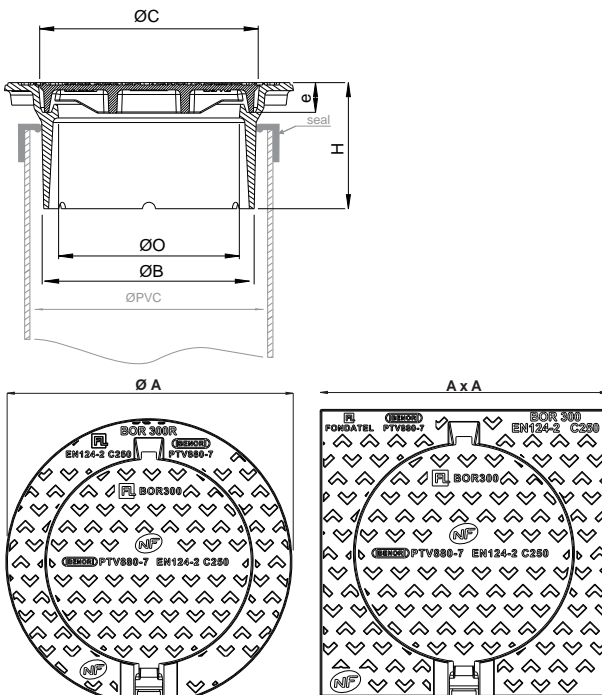
Conform PTV 880-7
Certified EN124-2 and BENOR by Copro

PLACE OF INSTALLATION

Group 3, class C250 → see EN124-1
Pavements, pedestrianised areas and similar surfaces, parking areas and multi-storey car parks.

OPTION

- Marking/logo on request.



REFERENCE	ART.N°	DIMENSIONS						KG	PACK.
		A	Ø B	Ø C	Ø O	H	E		
BOR A250R round (for tube Ø 250)	844435	Ø 338	208	231	181	157	36	13	24/45
BOR A250C square (for tube Ø 250)	844420	318	208	231	181	157	36	15	24/45
BOR A300R round (for tube Ø 315)	844430	Ø 380	262	272	225	157	37	18	24/45
BOR A300C square (for tube Ø 315)	844423	360	262	272	225	157	37	19	24/45
BOR A400C square (for tube Ø 400)	844426	450	335	354	301	157	37	28	20

The validity of the data sheet can be verified on the COPRO website (www.copro.eu)

Sizes in mm - Weights, sizes and sketch are indicative - Uncontrolled distribution.