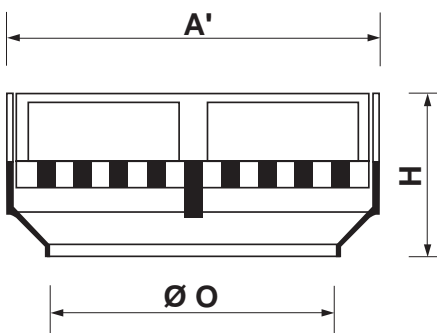
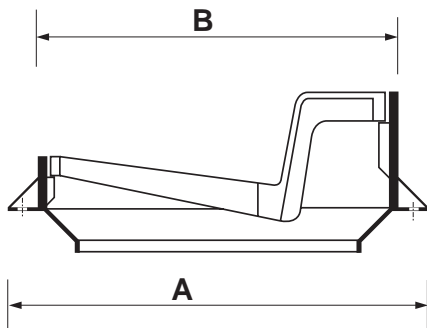
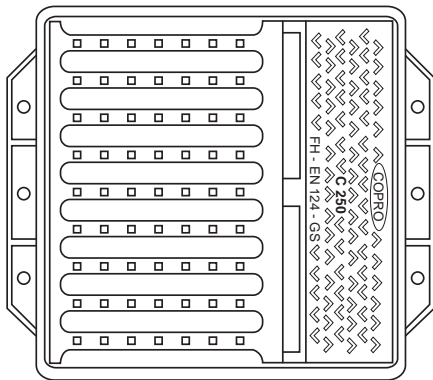


GAA GAT

Gully grating

Gratings for gullies

Class C250



REFERENCE	DIMENSIONS						KG	CLASS	PACK.
	A'	B	A	Ø O	H				
GAA	500	500	605	400	175	53	C 250	12	
GAT	500	500	605	400	233	63	C 250	12	

- **Class C250**
- **EN 124 certification by COPRO**
- drainage surface Type A: 7.70 dm², or 62% of the clear opening
- drainage surface Type T: 4.85 dm², or 39% of the clear opening
- Ductile iron FGS-500-7