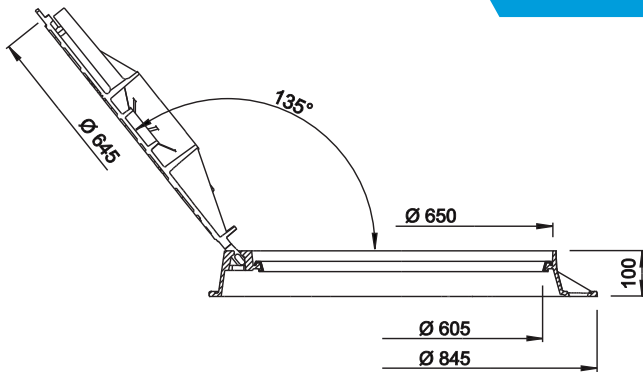
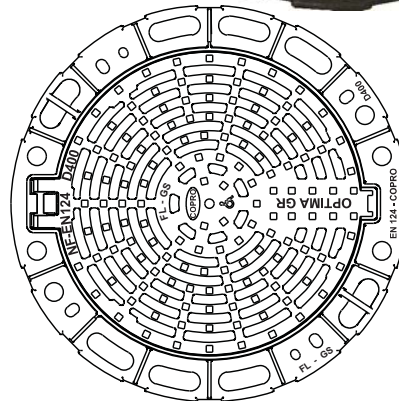
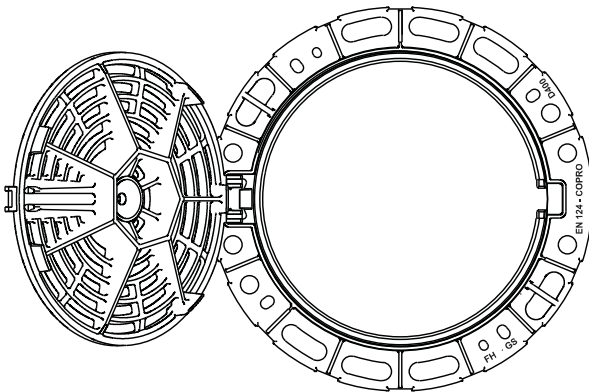


OPTIMA GR Road gratings



Hinged and lockable road grating Class D400 - Medium traffic



Medium traffic



REFERENCE	KG	CLASS	PACK.
OPTIMA GR round	64	D 400	10

Efficient hinging

- Opening of the grating at 135° for easy access and for the safety of the operators.
- Easy removal of sediment

Locking by a double elastic bar

- Improved elastic efficiency
- Locking simply through pressure or by passage of vehicles
- Release through leverage by any traditional tools

Soundproofing and stability

- Polyethylene seal
- Cover and frame with cavities for proper alignment
- Tightening of the cover in the frame is obtained by the action of 2 elastic bars

Ductile iron FGS 500-7

EN 124 certification by COPRO

These gratings are in conformity with the decree on accessibility of public roads for disabled.
(decree n° 99-756 dd 31st of August 1999)



Weight

- Frame: 28kgs
- Cover: 36kgs
- Total: 64kgs

Opening rings

- 2 rings diametrically opposed

Holes for anchoring by pegging

- 4 holes on the basis of the frame, placed on a diameter of 740mm