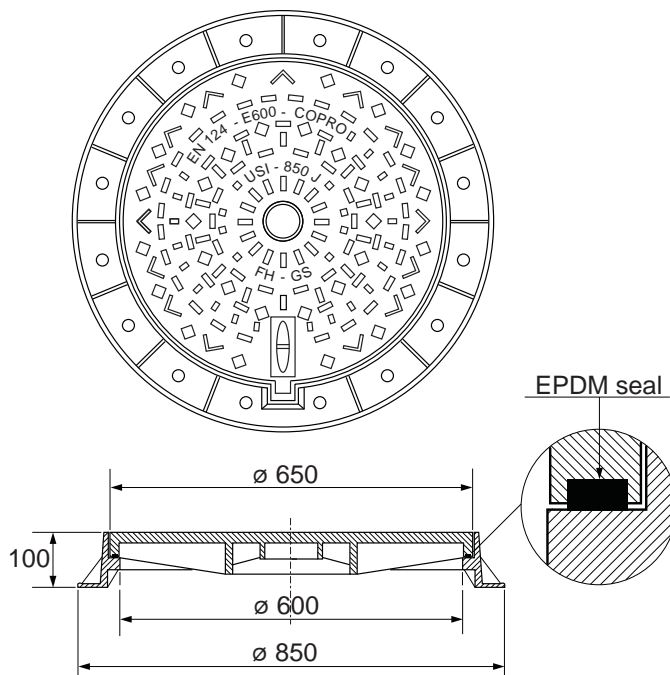


USI 850 J Manhole cover

The traditional values of a heavy duty manhole cover with machined contact surfaces and integration of an elastomer seal.
 Class E600 - heavy traffic



REFERENCE	KG	CLASS	PACK.
USI-J round	120	E 600	9
USI 850 hermetical	120	E 600	9

- **EN 124 certification by COPRO**
- Machined contact surfaces of frame and cover with an EPDM seal inserted in the cover
- A manipulation part with a hook in stainless steel
- Free opening \varnothing 600 mm

- Anti-rotation system
- Antiskid model
- Characteristics E600 heavy traffic
- OPTION: sealed for water run-off by tightening the lid on 3 points