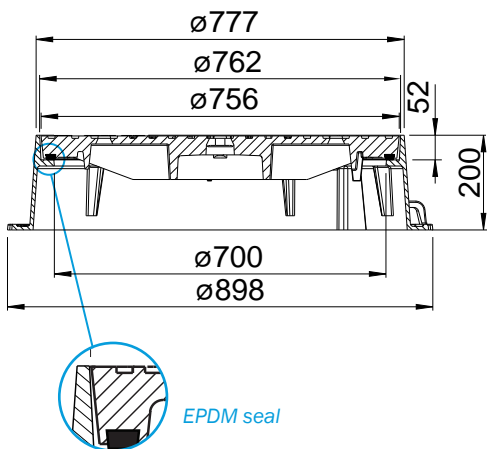
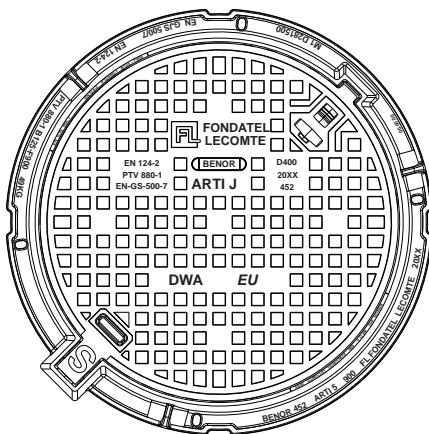


ARTI 5 J-7 NV

Manhole cover D400

PTV880-1 frame thickness 7mm BENOR	heavy traffic 	round frame 	hinged 	not ventilated 	seal 	security 	OPTION 	VARIANT locking 	VARIANT watertight
--	-------------------	-----------------	------------	--------------------	----------	--------------	-------------------	-------------------------------	----------------------------------



DESCRIPTION

Hinged manhole cover D400 BENOR PTV880-1 not ventilated, for heavy traffic.

ADVANTAGE PRODUCT

Efficient articulation

- Hinging automatic cleaning (when opening)
- Opening of the cover at $> 110^\circ$ for easy access
- Security: covers blocks at 90° when opening.
- For closing cover: additional manipulation (lifting cover) needed before closing cover.
- Cover is removable at 90° .

Silence and stability

- Round frame height 200mm with clear opening 700mm.
- EPDM sealing in machined opening cover on whole diameter, to guarantee perfect sealing.
- Antiskid design for low noise nuisance

Implementation and use

- 3 handling rings on the base of frame.
- Reinforced frame, especially rigid due to its height
- Frame pole providing a large surface for easy sealing.
- 4 holes for possible fastening to the ground.
- Keyhole in order to facilitate opening.
- A sealed box maneuver for opening by a pickaxe or hook.
- Deep frame with low ribs for all types of perimeter peripheral finish.

MATERIAL

Ductile iron GJS 500-7 depending on EN1563

PLACE OF INSTALLATION

Group 4, class D400 → see EN124-1

Carrageways of roads (including pedestrian streets), hand shoulders and parking areas, for all types of road vehicles

REFERENCE	ARTICLE N°	ARTICLE N° COPRO	KG	PACKING
Arti 5 J-7 NV D400	215055	0452/0235	126	7

Sizes in mm - Weights, sizes and sketch are indicative - Uncontrolled distribution.

ARTI 5 J-7 NV

Manhole cover D400

PTV880-1 frame thickness 7mm BENOR	heavy traffic 	round frame 	hinged 	not ventilated 	seal 	security 	OPTION 	OPTION locking 	VARIANT watertight
--	-------------------	--------------------	------------	-----------------------	----------	--------------	-------------------	------------------------------	----------------------------------



<https://fondatel.com/index.php/environmental-policy-2/?lang=en>
<https://qr.co2logic.com/52518ea7746fcbcc911c6b2a8873e80>



BENOR



The validity of the data sheet can be checked using the device article n° COPRO on the COPRO website. <https://extranet.copro.eu/en/Sheets>

LOCKING VARIANT



OPTION

Ergonomic lifting key
article n° 200 200



ENVIRONMENT

0 kg CO₂/product through compensation (*)

(*) Following our balance sheet of carbon dioxide emissions, Fondatel made an action plan to reduce its carbon dioxide emissions with 20% latest 2025 following European regulations.

In order to compensate actual balance of emissions which can't yet be avoided, Fondatel engaged itself to invest into certified climate projects, which themselves help to lower global carbon emissions and present multiple gains described in the list of Objectives of Sustainable Development by United Nations.

Compensation is 262,08 kg CO₂/product

CERTIFICATION THIRD PARTY

BENOR PTV880-1 (frame thickness 7mm) by Copro

OPTIONS

- Marking/logo on request
- Ergonomic lifting key

VARIANTS

- Locking by means of 4 locking devices.
- Standard version (with holes)
- 1 BAR watertightness
- Available in BENOR PTV880-1 (frame thickness 10mm)

Sizes in mm - Weights, sizes and sketch are indicative - Uncontrolled distribution.