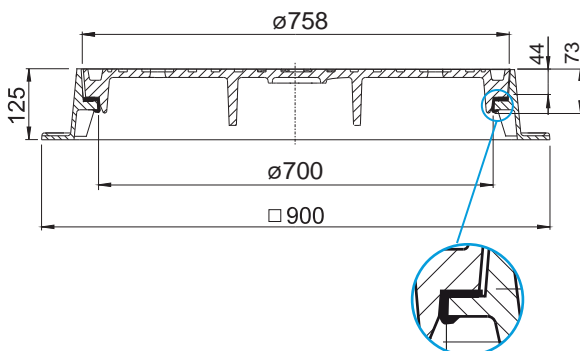
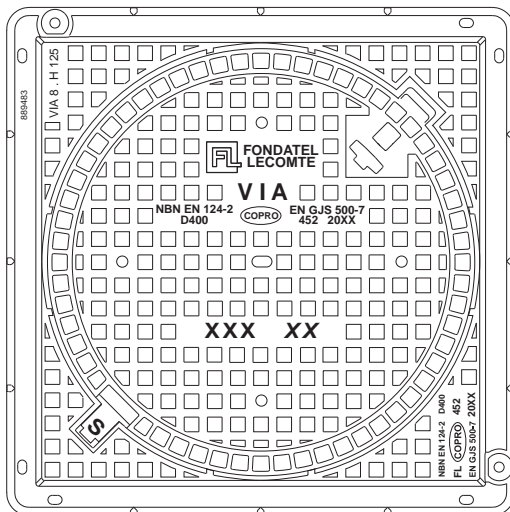


VIA 8.125L Manhole cover D400



EN124-2 by



heavy traffic



square frame round cover



hinged



seal



security



OPTION



VARIANT non ventilated



DESCRIPTION

Hinged manhole cover with holes, D400 for heavy traffic.

ADVANTAGE PRODUCT

Efficient articulation

- Hinging automatic cleaning (when opening)
- Cover comprising alignment tabs in the frame
- Opening of the cover at 120° for easy access
- Cover can be taken out of frame at position 110°
- Security: covers blocks at 90° when opening.
- For closing cover: additional manipulation (lifting cover) needed before closing cover.

Silence and stability

- Square visible frame after installation
- Frame height 125mm with clear opening 700mm.
- EPDM sealing in machined opening cover on whole diameter, to guarantee perfect sealing.
- Cover fits into frame thanks to its weight and form
- Antiskid design for low noise nuisance

Implementation and use

- Cover with 4 round and 1 oval ventilation hole. Last one can also be used to facilitate opening cover
- Frame sole providing a large surface for easy sealing.
- 8 holes for possible fastening to the ground.
- Plain frame giving a large surface to facilitate installation
- Closed chamber in cover for opening by pic, hook
- Frame without external reinforcement ribs to facilitate to put pavements around

MATERIAL

Ductile iron GJS 500-7 depending on EN1563

PLACE OF INSTALLATION

Group 4, class D400 → see EN124-1

Carrageways of roads (including pedestrian streets), hand shoulders and parking areas, for all types of road vehicles

REFERENCE	ARTICLE N°	ARTICLE N° COPRO	KG	PACK.
Via 8.125 L D400	258005	0452/0062	124	10
Via 8.125 L D400 EUP		0452/0062	124	10
Via 8.125 L D400 RWA-EP	258000	0452/0062	124	10
Via 8.125 L D400 DWA-EU	258001	0452/0062	124	10

Sizes in mm - Weights, sizes and sketch are indicative - Uncontrolled distribution.

VIA 8.125L Manhole cover D400

EN124-2 by	heavy traffic	square frame round cover	hinged	seal	security	OPTION	VARIANT non ventilated
							

<https://fondatel.com/index.php/environmental-policy-2/?lang=en>
<https://qr.co2logic.com/52518ea7746fcbcc911c6b2a8873e80>

The validity of the data sheet can be checked using the device article n° COPRO on the COPRO website. <https://extranet.copro.eu/en/Sheets>

OPTION
Ergonomic lifting key
article n° 200 200



VARIANT



ENVIRONMENT
0 kg CO₂/product through compensation (*)
 (*) Following our balance sheet of carbon dioxide emissions, Fondatel made an action plan to reduce its carbon dioxide emissions with 20% latest 2025 following European regulations.
 In order to compensate actual balance of emissions which can't yet be avoided, Fondatel engaged itself to invest into certified climate projects, which themselves help to lower global carbon emissions and present multiple gains described in the list of Objectives of Sustainable Development by United Nations.

Compensation is 257,92 kg CO₂/product

CERTIFICATION THIRD PARTY
COPRO

OPTION
Marking/logo on request.

VARIANTS
 •Not ventilated cover
 •Marking/logo on request

Sizes in mm - Weights, sizes and sketch are indicative - Uncontrolled distribution.