

105045TI

Gullies - concave grating D400

PTV 802

hinged



DESCRIPTION

Gullies for road infrastructure, industrial zones D400

ADVANTAGES PRODUCT

- Hinged grating (opening direction can be changed)
- Concave grating, with round bars.
- Vertical outlet Ø PVC 160 (or GRES Ø186 on request)
- 2 handling hooks.
- Grating supports on 6 points with EPDM seal.
- Equipped with a removable air-stop plate.

MATERIAL

Ductile iron GJS 500-7 depending on EN1563

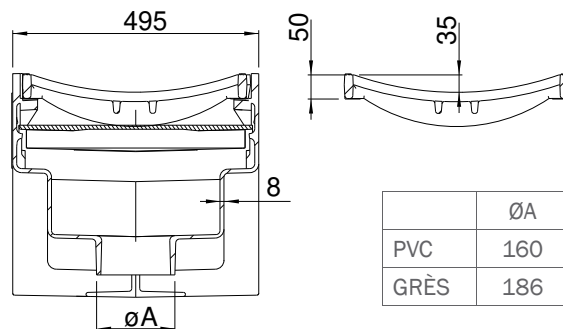
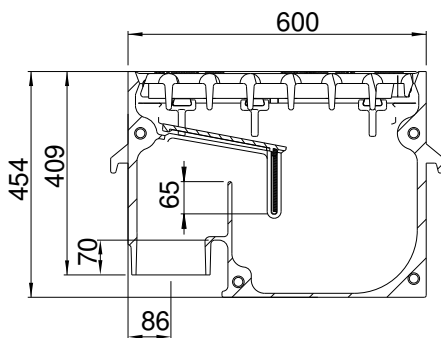
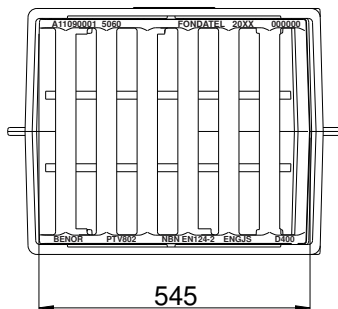
PLACE OF INSTALLATION

Group 3, →see EN124-1

For gully tops installed in the area of kerbside channels of roads which when measured from the kerb edge, extend a maximum of 0,5m into carriageway.

Confirmation about concave gratings:

EN124-2 is not applicable for concave gratings installed onto roads. These gratings need to be installed in areas of kerbside channels along roads



REFERENCE	ARTICLE N°	GTIN/EAN CODE	ARTICLE N° COPRO	KG	CAPACITY	CAPACITY HOLDING TANK
AVA 506045 flat - round bars - vertical outlet - pvc	105045TI0.160	05404041402970	0452/0297	136,0	10,44 dm ²	35,2L
AVA 506045 flat - round bars - vertical outlet - grès	105045TI0.GRES	05404041402987	0452/0298	136,0	10,44 dm ²	35,2L

Sizes in mm - Weights, sizes and sketch are indicative - Uncontrolled distribution.

105045TI

Gullies - concave grating D400

PTV 802



hinged



<https://fondatel.com/index.php/environmental-policy-2/?lang=en>
<https://qr.co2logic.com/52518ea7746fcbcc911c6b2a8873e80>



The validity of the data sheet can be checked using the device article n° COPRO on the COPRO website. <https://extranet.copro.eu/en/Sheets>

ENVIRONMENT

0 kg CO₂/product through compensation (*)

(*) Following our balance sheet of carbon dioxide emissions, Fondatel made an action plan to reduce its carbon dioxide emissions with 20% latest 2025 following European regulations.

In order to compensate actual balance of emissions which can't yet be avoided, Fondatel engaged itself to invest into certified climate projects, which themselves help to lower global carbon emissions and present multiple gains described in the list of Objectives of Sustainable Development by United Nations.

Compensation is 282,88 kg CO₂/product

CERTIFICATION THIRD PARTY

- Conform PTV 802, type I class D400
- Certified EN124-2 BENOR by Copro

VARIANT

Available with flat grating: 105045TP



Sizes in mm - Weights, sizes and sketch are indicative - Uncontrolled distribution.